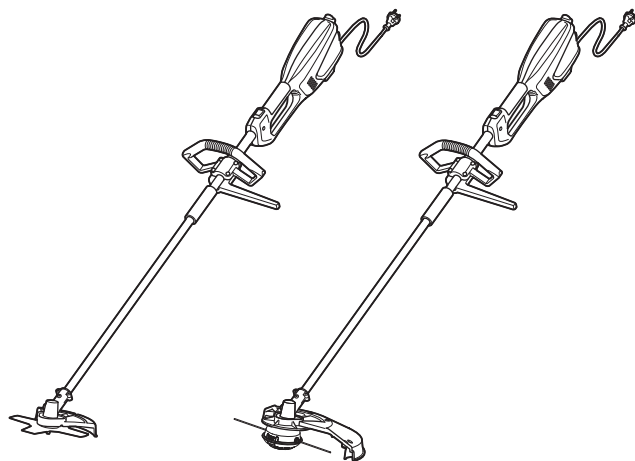
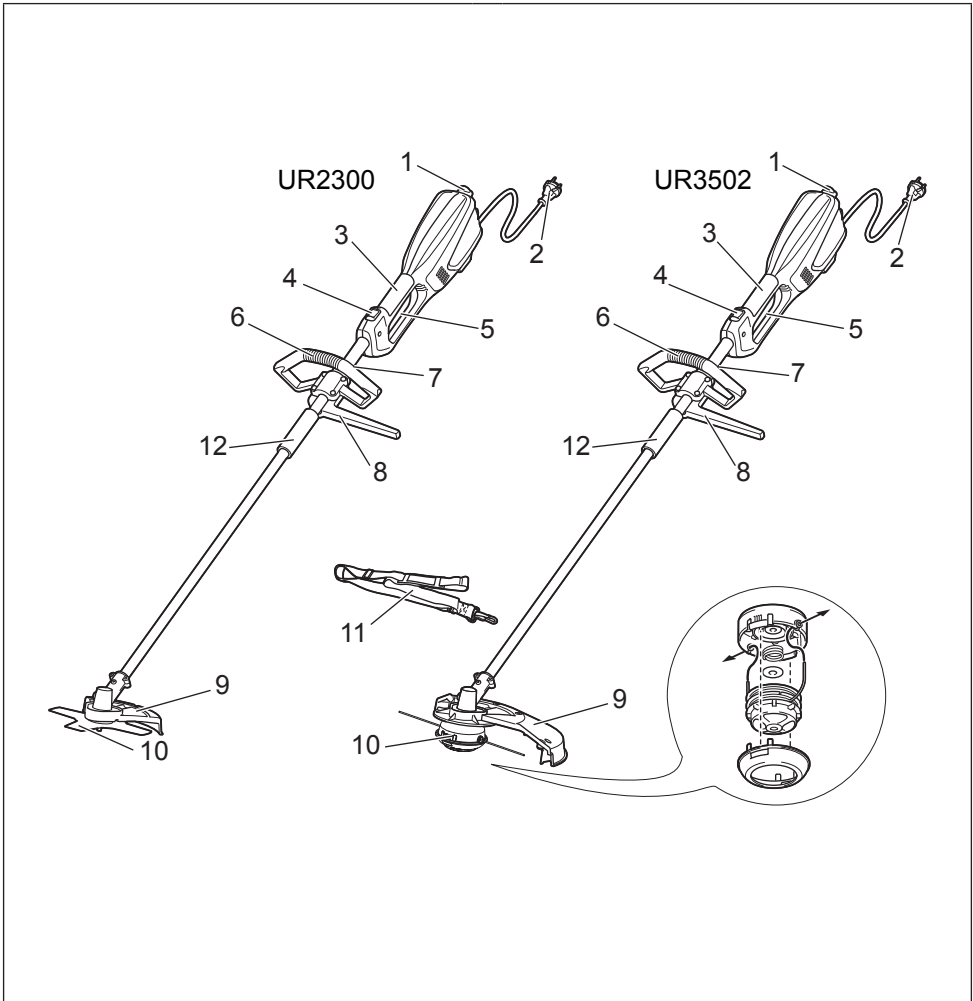




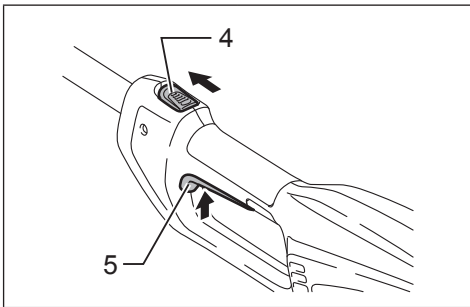
GB	Electric Grass Trimmer	Instruction Manual
F	Coupe-Herbe Electrique	Manuel d'instructions
D	Elektro-Trimmer	Gebrauchsanleitung
I	Tosaerba elettrico	Istruzioni per l'uso
NL	Elektrische grastrimmer	Gebruiksaanwijzing
E	Cortadora de Cesped	Manual de instrucciones
P	Aparador de Grama Elétrico	Manual de instruções
DK	Elektrisk græstrimmer	Brugervejledning
GR	Ηλεκτρικό κουρευτικό γκαζόν	Εγχειρίδιο οδηγιών
TR	Elektrikli Çim Bıçme Makinesi	Kullanım Kılavuzu
PL	Wykaszarka Elektryczna	Instrukcja obsługi

UR2300
UR3502

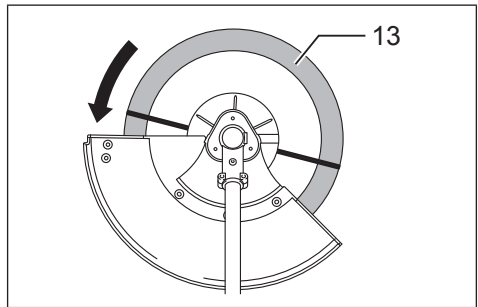




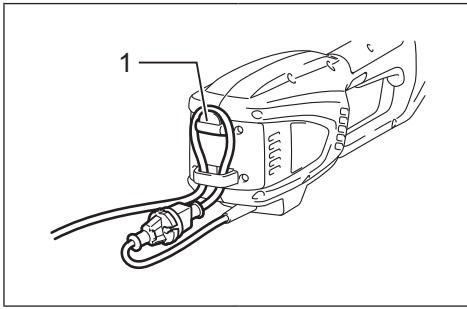
1



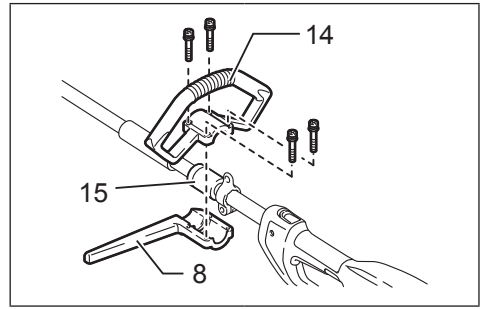
2



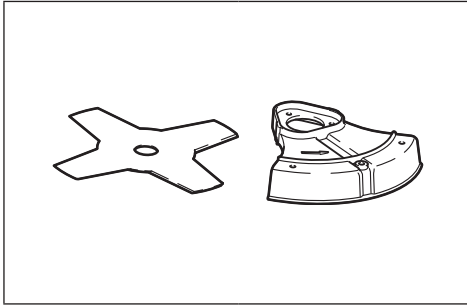
3



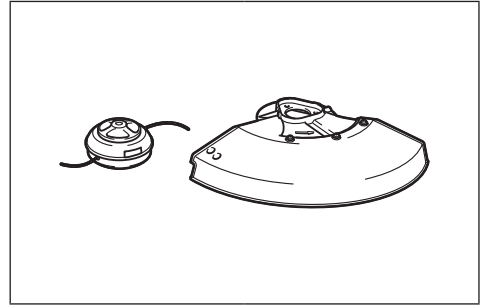
4



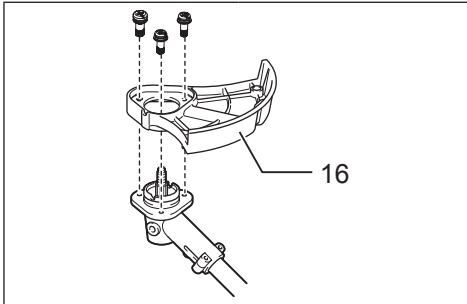
5



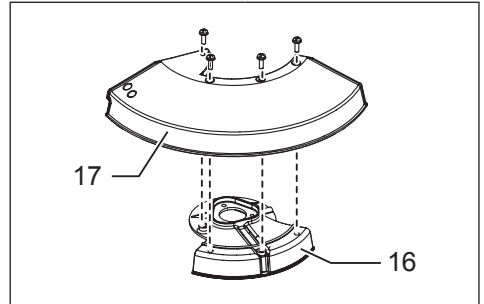
6



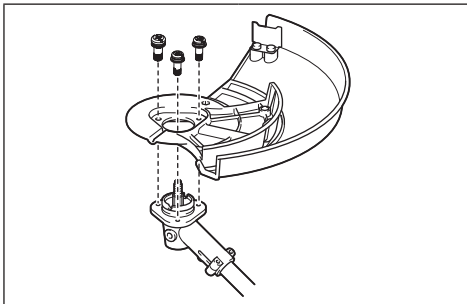
7



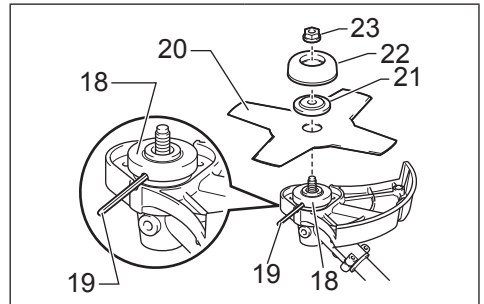
8



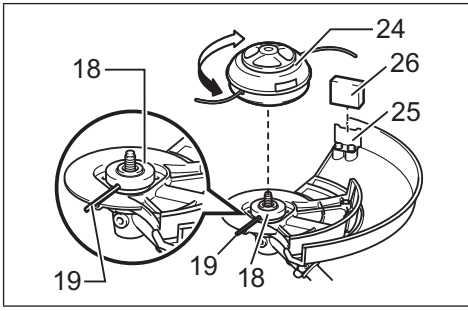
9



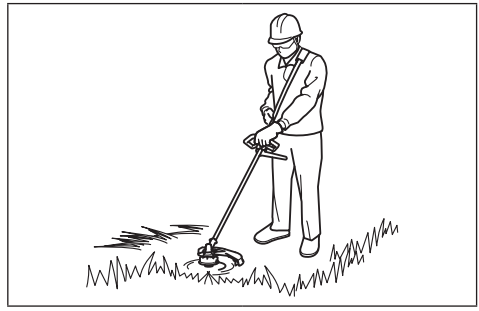
10



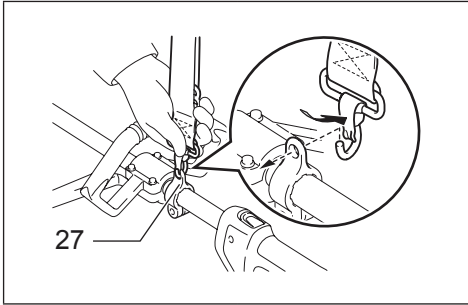
11



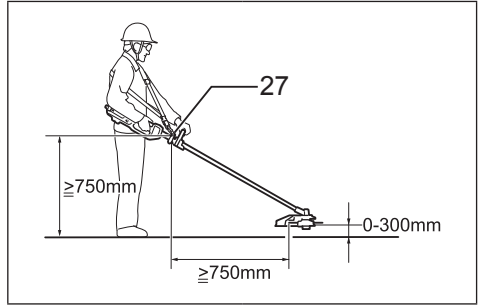
12



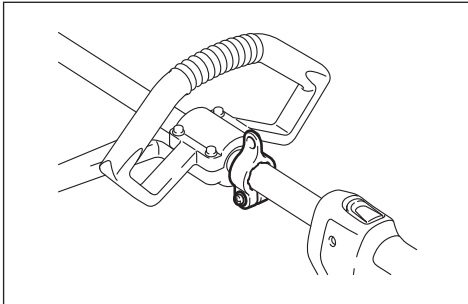
13



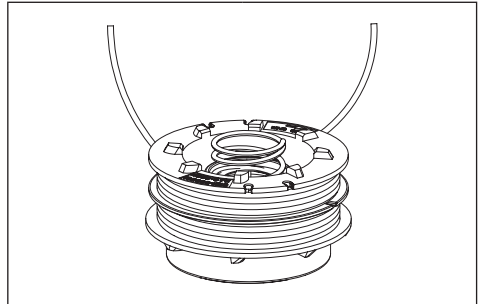
14



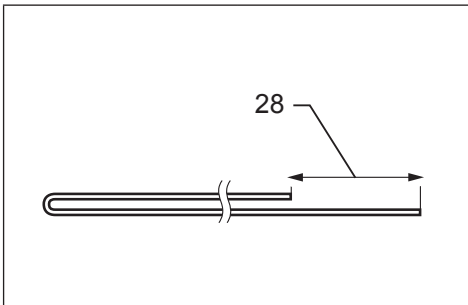
15



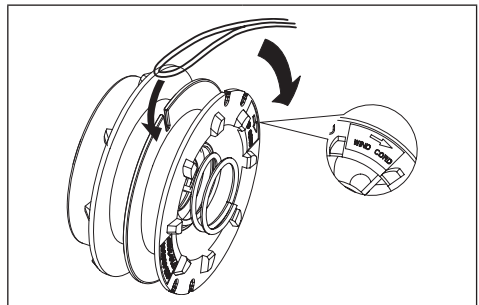
16



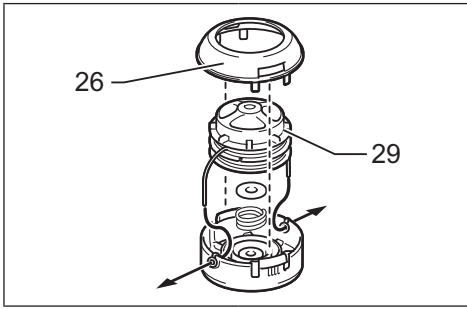
17



18



19



20

Explanation of general view

1 Cable holder	10 Cutting tool	21 Clamp washer
2 Power supply cord (the shape may differ from country to country)	11 Shoulder harness	22 Cup
3 Rear handle	12 Cushion	23 Nut
4 Lock-off lever	13 Most effective cutting area	24 Nylon cutting head
5 Switch trigger	14 Handle	25 Cord cutter
6 Front handle	15 Rubber part	26 Cover
7 Hanger (suspension point)	16 Inner protector	27 Hanger
8 Barrier	17 Outer protector	28 80 – 100 mm
9 Cutting tool guard (protector)	18 Receive washer	29 Spool
	19 Round bar	
	20 Blade	

SPECIFICATIONS

Model	UR2300	UR3502
Type of handle	Loop handle	
Overall length	1,630 mm	
Continuous rating input	1,000 W	
No load speed	5,700 min ⁻¹	5,700 min ⁻¹
Cutting tool	Cutter blade	Nylon cutting head
Cutting width	230 mm	350 mm
Net weight	4.7 kg	4.9 kg
Safety class	□ / II	

- Due to our continuing program of research and development, the specifications herein are subject to change without notice.
- Specifications may differ from country to country.
- Weight according to EPTA-Procedure 01/2003

Noise	Sound pressure level average		Sound power level average		Applicable standard
	L _{PA} (dB(A))	Uncertainty K (dB(A))	L _{WA} (dB(A))	Uncertainty K (dB(A))	
Cutting tool					
Cutter blade	80.8	2.5	93.45	1.23	EN 60335-1, EN 50636-2-91, EN ISO 11806
Nylon cutting head	85.3	2.5	93.84	1.58	

- Wear ear protection.

Vibration	Front grip		Rear grip		Applicable standard
	a _h (m/s ²)	Uncertainty K (m/s ²)	a _h (m/s ²)	Uncertainty K (m/s ²)	
Cutting tool					
Cutter blade	2.856	1.5	2.712	1.5	EN 60335-1, EN 50636-2-91, EN ISO 11806
Nylon cutting head	2.768	1.5	2.694	1.5	

- The declared vibration emission value has been measured in accordance with the standard test method and may be used for comparing one tool with another.
- The declared vibration emission value may also be used in a preliminary assessment of exposure.
- Be sure to identify safety measures to protect the operator that are based on an estimation of exposure in the actual conditions of use (taking account of all parts of the operating cycle such as the times when the tool is switched off and when it is running idle in addition to the trigger time).

⚠ WARNING:

- The vibration emission during actual use of the power tool can differ from the declared emission value depending on the ways in which the tool is used.

Symbols

The following show the symbols used for the equipment. Be sure that you understand their meaning before use.



- Take particular care and attention.



- Read instruction manual.



- Danger; be aware of thrown objects.



- The distance between the tool and bystanders must be at least 15 m.



- Keep bystanders away.



- Wear a helmet, goggles and ear protection.



- Wear protective gloves.



- Wear sturdy boots with nonslip soles. Steeltoed safety boots are recommended.



- Do not expose to moisture.



- Disconnect the mains plug if the cord is damaged or entangled.



- Avoid kickback.



- Keep distance at least 15 m.



- DOUBLE INSULATION



- Only for EU countries
Do not dispose of electric equipment together with household waste material!

In observance of the European Directive, on Waste Electric and Electronic Equipment and its implementation in accordance with national law, electric equipment that have reached the end of their life must be collected separately and returned to an environmentally compatible recycling facility.

For European countries only

EC Declaration of Conformity

Makita declares that the following Machine(s):

Designation of Machine:

Electric Grass Trimmer

Model No./ Type: UR2300, UR3502

Specifications: see "SPECIFICATIONS" table.

Conforms to the following European Directives:

2000/14/EC, 2006/42/EC, 2004/108/EC

They are manufactured in accordance with the following standard or standardized documents:

EN ISO 11806-1 (for Grass cutter function),
EN 60335-1, EN 62233, EN 55014-1, EN 55014-2,
EN 61000-3-2, EN 61000-3-3, EN 50636-2-91 (for
Lawn trimmer function)

The technical file in accordance with 2006/42/EC is available from:

Makita, Jan-Baptist Vinkstraat 2, 3070, Belgium

(For model UR2300 only: With a cutter blade)

The conformity assessment procedure required by Directive 2000/14/EC was in Accordance with annex V.

Measured sound power level: 93.45 dB (A)

Guaranteed sound power level: 96 dB (A)

(For model UR2300, UR3502: With a nylon cutting head)

The conformity assessment procedure required by Directive 2000/14/EC was in Accordance with annex VI.

Notified Body:

Société Nationale de Certification et d'Homologation

11, rue de Luxembourg L-5230 Sandweiler

Identification number 0499

Measured Sound Power Level: 93.84 dB (A)

Guaranteed Sound Power Level: 96 dB (A)

30.1.2015

Yasushi Fukaya

Director

Makita, Jan-Baptist Vinkstraat 2, 3070, Belgium

General Power Tool Safety Warnings

⚠ WARNING Read all safety warnings and all instructions. Failure to follow the warnings and instructions may result in electric shock, fire and/or serious injury.

Save all warnings and instructions for future reference.

The term "power tool" in the warnings refers to your mains-operated (corded) power tool or battery-operated (cordless) power tool.

Work area safety

1. **Keep work area clean and well lit.** Cluttered or dark areas invite accidents.
2. **Do not operate power tools in explosive atmospheres, such as in the presence of flammable liquids, gases or dust.** Power tools create sparks which may ignite the dust or fumes.
3. **Keep children and bystanders away while operating a power tool.** Distractions can cause you to lose control.

Electrical safety

4. **Power tool plugs must match the outlet. Never modify the plug in any way. Do not use any adapter plugs with earthed (grounded) power tools.** Unmodified plugs and matching outlets will reduce risk of electric shock.
5. **Avoid body contact with earthed or grounded surfaces such as pipes, radiators, ranges and refrigerators.** There is an increased risk of electric shock if your body is earthed or grounded.
6. **Do not expose power tools to rain or wet conditions.** Water entering a power tool will increase the risk of electric shock.
7. **Do not abuse the cord. Never use the cord for carrying, pulling or unplugging the power tool. Keep cord away from heat, oil, sharp edges or moving parts.** Damaged or entangled cords increase the risk of electric shock.
8. **When operating a power tool outdoors, use an extension cord suitable for outdoor use.** Use of a cord suitable for outdoor use reduces the risk of electric shock.
9. **If operating a power tool in a damp location is unavoidable, use a residual current device (RCD) protected supply.** Use of an RCD reduces the risk of electric shock.
10. **Use of power supply via a RCD with a rated residual current of 30 mA or less is always recommended.**

Personal safety

11. **Stay alert, watch what you are doing and use common sense when operating a power tool. Do not use a power tool while you are tired or under the influence of drugs, alcohol or medication.** A moment of inattention while operating power tools may result in serious personal injury.
12. **Use personal protective equipment. Always wear eye protection.** Protective equipment such as dust mask, non-skid safety shoes, hard hat, or hearing protection used for appropriate conditions will reduce personal injuries.

13. **Prevent unintentional starting. Ensure the switch is in the off-position before connecting to power source and/or battery pack, picking up or carrying the tool.** Carrying power tools with your finger on the switch or energising power tools that have the switch on invites accidents.
14. **Remove any adjusting key or wrench before turning the power tool on.** A wrench or a key left attached to a rotating part of the power tool may result in personal injury.
15. **Do not overreach. Keep proper footing and balance at all times.** This enables better control of the power tool in unexpected situations.
16. **Dress properly. Do not wear loose clothing or jewellery. Keep your hair, clothing, and gloves away from moving parts.** Loose clothes, jewellery or long hair can be caught in moving parts.
17. **If devices are provided for the connection of dust extraction and collection facilities, ensure these are connected and properly used.** Use of dust collection can reduce dust-related hazards.

Power tool use and care

18. **Do not force the power tool. Use the correct power tool for your application.** The correct power tool will do the job better and safer at the rate for which it was designed.
19. **Do not use the power tool if the switch does not turn it on and off.** Any power tool that cannot be controlled with the switch is dangerous and must be repaired.
20. **Disconnect the plug from the power source and/ or the battery pack from the power tool before making any adjustments, changing accessories, or storing power tools.** Such preventive safety measures reduce the risk of starting the power tool accidentally.
21. **Store idle power tools out of the reach of children and do not allow persons unfamiliar with the power tool or these instructions to operate the power tool.** Power tools are dangerous in the hands of untrained users.
22. **Maintain power tools. Check for misalignment or binding of moving parts, breakage of parts and any other condition that may affect the power tool's operation. If damaged, have the power tool repaired before use.** Many accidents are caused by poorly maintained power tools.
23. **Keep cutting tools sharp and clean.** Properly maintained cutting tools with sharp cutting edges are less likely to bind and are easier to control.
24. **Use the power tool, accessories and tool bits etc. in accordance with these instructions, taking into account the working conditions and the work to be performed.** Use of the power tool for operations different from those intended could result in a hazardous situation.

Service

25. **Have your power tool serviced by a qualified repair person using only identical replacement parts.** This will ensure that the safety of the power tool is maintained.
26. **Follow instruction for lubricating and changing accessories.**
27. **Keep handles dry, clean and free from oil and grease.**

IMPORTANT SAFETY INSTRUCTIONS

⚠ WARNING! Read all safety warnings and all instructions. Failure to follow the warnings and instructions may result in electric shock, fire and/or serious injury.

Save all warnings and instructions for future reference.

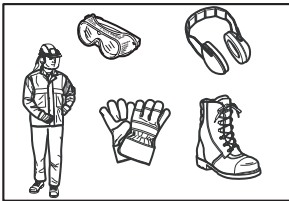
Intended use

1. The grass trimmer/ brushcutter/ string trimmer is only intended for cutting grass, weeds, bushes and undergrowth. It should not be used for any other purpose such as edging or hedge cutting as this may cause injury.

General instructions

1. Never allow people unfamiliar with these instructions, people (including children) with reduced physical, sensory or mental capabilities, or lack of experience and knowledge to use the tool. Children should be supervised to ensure that they do not play with the tool.
2. Before starting the tool, read this instruction manual to become familiar with the handling of the tool.
3. Do not lend the tool to a person with insufficient experience or knowledge regarding handling of brushcutters and string trimmers.
4. When lending the tool, always attach this instruction manual.
5. Handle the tool with the utmost care and attention.
6. Never use the tool after consuming alcohol or drugs, or if feeling tired or ill.
7. Never attempt to modify the tool.
8. Take care against injury from any device fitted for trimming the filament line length. After extending new cutter line always return the machine to its normal operating position before switching on.
9. Follow the regulations about handling of brushcutters and string trimmers in your country.

Personal protective equipment



1. Wear safety helmet, protective goggles and protective gloves to protect yourself from flying debris or falling objects.
2. Wear ear protection such as ear muffs to prevent hearing loss.
3. Wear proper clothing and shoes for safe operation, such as a work overall and sturdy, non-slip shoes. Do not wear loose clothing or jewelry. Loose clothes, jewelry or long hair can be caught in moving parts.
4. When touching the cutting blade, wear protective gloves. Cutting blades can cut bare hands severely.

Work area safety

1. Operate the tool under good visibility and daylight conditions only. Do not operate the tool in darkness or fog.
2. Do not operate the tool in explosive atmospheres, such as in the presence of flammable liquids, gases or dust. The tool creates sparks which may ignite the dust or fumes.
3. During operation, never stand on an unstable or slippery surface or a steep slope. During the cold season, beware of ice and snow and always ensure secure footing.
4. During operation, keep bystanders or animals at least 15 m away from the tool. Stop the tool as soon as someone approaches.
5. Before operation, examine the work area for stones or other solid objects. They can be thrown or cause dangerous kickback and result in serious injury and/ or property damage.
6. **⚠ WARNING:** Use of this product can create dust containing chemicals which may cause respiratory or other illnesses. Some examples of these chemicals are compounds found in pesticides, insecticides, fertilizers and herbicides. Your risk from these exposures varies, depending on how often you do this type of work. To reduce your exposure to these chemicals: work in a well ventilated area, and work with approved safety equipment, such as those dust masks that are specially designed to filter out microscopic particles.

Electrical safety

1. **Power tool plugs must match the outlet. Never modify the plug in any way. Do not use any adapter plugs with earthed (grounded) power tools.** Unmodified plugs and matching outlets will reduce risk of electric shock.
2. **Avoid body contact with earthed or grounded surfaces such as pipes, radiators, ranges and refrigerators.** There is an increased risk of electric shock if your body is earthed or grounded.
3. Do not expose the tool to rain or wet conditions. Water entering the tool will increase the risk of electric shock.
4. **Do not abuse the cord. Never use the cord for carrying, pulling or unplugging the power tool. Keep cord away from heat, oil, sharp edges or moving parts.** Damaged or entangled cords increase the risk of electric shock.
5. Do not use the tool if the switch does not turn it on and off. Any tool that cannot be controlled with the switch is dangerous and must be repaired.
6. **When operating a power tool outdoors, use an extension cord suitable for outdoor use.** Use of a cord suitable for outdoor use reduces the risk of electric shock.
7. **If operating a power tool in a damp location is unavoidable, use a residual current device (RCD) protected supply.** Use of an RCD reduces the risk of electric shock.
8. **Use of power supply via a RCD with a rated residual current of 30 mA or less is always recommended.**
9. Prevent unintentional starting. Ensure the switch is in the off-position before connecting to power source, picking up or carrying the tool. Carrying power tools with your finger on the switch or energising power tools that have the switch on invites accidents.

10. Before use, check the supply and extension cord for signs of damage or ageing.
11. If the cord becomes damaged during use, disconnect the cord from the supply immediately. **Do not touch the cord before disconnecting the supply.**
12. Do not use the tool if the cords are damaged or worn.
13. Keep extension cord away from cutting elements.

Putting into operation

1. Before assembling or adjusting the tool, disconnect the plug from the power source.
2. Before handling the cutter blade, wear protective gloves.
3. Before plugging in, inspect the tool for damages, loose screws/nuts or improper assembly. Sharpen blunt cutter blade. If the cutter blade is bent or damaged, replace it. Check all control levers and switches for easy action. Clean and dry the handles.
4. Never attempt to switch on the tool if it is damaged or not fully assembled. Otherwise serious injury may result.
5. Remove any adjusting key or wrench before turning the tool on. A wrench or a key left attached to a rotating part of the tool may result in personal injury.
6. Adjust the shoulder harness and hand grip to suit the operator's body size.
7. When plugging in, keep the cutting attachment clear of your body and other object, including the ground. It may rotate when starting and may cause injury or damage to the tool and/or property.

Operation

1. In the event of an emergency, switch off the tool immediately.
2. If you feel any unusual condition (e.g. noise, vibration) during operation, switch off the tool. Do not use the tool until the cause is recognized and solved.
3. Warning. The cutting attachment continues to rotate for a short period after turning the tool off. Don't rush to contact the cutting attachment.
4. During operation, use the shoulder harness. Keep the tool on your right side firmly.
5. Do not overreach. Keep proper footing and balance at all times. Watch for hidden obstacles such as tree stumps, roots and ditches to avoid stumbling.
6. Never work on a ladder or tree to avoid loss of control.
7. Before using the machine and after any heavy impact or fall, check the condition before continuing work. Check the controls and safety devices for malfunction. If there is any damage or doubt, ask our authorized service center for the inspection and repair.
8. Do not touch the gear case. The gear case becomes hot during operation.
9. Take a rest to prevent loss of control caused by fatigue. We recommend taking a 10 to 20-minute rest every hour.
10. When you leave the tool, even if it is a short time, always withdraw the mains plug. The unattended tool with the mains plugged in may be used by unauthorized person and cause serious accident.
11. If grass or branches get caught between the cutting attachment and guard, always turn the tool off and withdraw the mains plug before cleaning. Otherwise the cutting attachment may rotate unintentionally and cause serious injury.

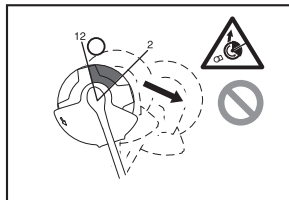
12. If the cutting attachment hits stones or other hard objects, immediately turn the tool off. Then withdraw the mains plug and inspect the cutting attachment.
13. Check the cutting attachment frequently during operation for cracks or damages. Before the inspection, withdraw the mains plug and wait until the cutting attachment stops completely. Replace damaged cutting attachment immediately, even if it has only superficial cracks.
14. Never cut above waist height.
15. Before starting the cutting operation, wait until the cutting attachment reaches a constant speed after turning the tool on.
16. When using metal blades, swing the tool evenly in half-circle from right to left, like using a scythe.
17. Hold the tool by insulated gripping surfaces only, because the cutter blade may contact hidden wiring. Cutter blades contacting a "live" wire may make exposed metal parts of the tool "live" and could give the operator an electric shock.
18. Always ensure that ventilation openings are kept clear of debris.

Cutting attachments

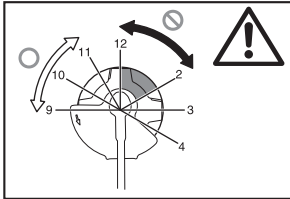
1. Use an applicable cutting attachment for the job in hand.
 - Nylon cutting heads (string trimmer heads) are suitable for trimming lawn grass.
 - Metal blades are suitable for cutting weeds, high grasses, bushes, shrubs, underwood, thickets, and the like.
 - Never use other blades including metal multi-piece pivoting chains and flail blades. It may result in serious injury.
2. Always use the cutting attachment guard properly suited for the cutting attachment used.
3. Never fit metal cutting elements with nylon cutting models.
4. When using metal blades, avoid "kickback" and always prepare for an accidental kickback. See the section "Kickback."

Kickback (Blade thrust)

1. Kickback (blade thrust) is a sudden reaction to a caught or bound cutting blade. Once it occurs, the tool is thrown sideways or toward the operator at great force and it may cause serious injury.
2. Kickback occurs particularly when applying the blade segment between 12 and 2 o'clock to solids, bushes and trees with 3 cm or larger diameter.



3. To avoid kickback:
 - Apply the segment between 8 and 11 o'clock.
 - Never apply the segment between 12 and 2 o'clock.
 - Never apply the segment between 11 and 12 o'clock and between 2 and 5 o'clock, unless the operator is well trained and experienced and does it at his/her own risk.
 - Never use cutting blades close to solids, such as fences, walls, tree trunks and stones.
 - Never use cutting blades vertically, for such operations as edging and trimming hedges.



Vibration

1. People with poor circulation who are exposed to excessive vibration may experience injury to blood vessels or the nervous system. Vibration may cause the following symptoms to occur in the fingers, hands or wrists: "Falling asleep" (numbness), tingling, pain, stabbing sensation, alteration of skin color or of the skin. If any of these symptoms occur, see a physician!
2. To reduce the risk of "white finger disease", keep your hands warm during operation and well maintain the tool and accessories.

Transport

1. Before transporting the tool, turn it off and withdraw the mains plug. Attach the cover to the cutting blade.
2. When transporting the tool, carry it in a horizontal position by holding the shaft.
3. When transporting the tool in a vehicle, properly secure it to avoid turnover. Otherwise damage to the tool and other baggage may result.

Maintenance

1. Have your tool serviced by our authorized service center, always using only genuine replacement parts. Incorrect repair and poor maintenance can shorten the life of the tool and increase the risk of accidents.
2. Before doing any maintenance or repair work or cleaning the tool, always turn it off and withdraw the mains plug.
3. Always wear protective gloves when handling the cutting blade.
4. Always clean dust and dirt off the tool. Never use gasoline, benzine, thinner, alcohol or the like for the purpose. Discoloration, deformation or cracks of the plastic components may result.
5. After each use, tighten all screws and nuts.
6. Do not attempt any maintenance or repair not described in the instruction manual. Ask our authorized service center for such work.
7. Always use our genuine spare parts and accessories only. Using parts or accessories supplied by a third party may result in the tool breakdown, property damage and/or serious injury.

8. Request our authorized service center to inspect and maintain the tool at regular interval.

Storage

1. Before storing the tool, perform full cleaning and maintenance. Withdraw the mains plug. Attach the cover to the cutting blade.
2. Store the tool in a dry and high or locked location out of reach of children.
3. Do not prop the tool against something, such as a wall. Otherwise it may fall suddenly and cause an injury.

First aid

1. Always have a first-aid kit close by. Immediately replace any item taken from the first aid kit.
2. When asking for help, give the following information:
 - Place of the accident
 - What happened
 - Number of injured persons
 - Nature of the injury
 - Your name

SAVE THESE INSTRUCTIONS.



WARNING:

DO NOT let comfort or familiarity with product (gained from repeated use) replace strict adherence to safety rules for the subject product. MISUSE or failure to follow the safety rules stated in this instruction manual may cause serious personal injury.

PARTS DESCRIPTION (Fig. 1)

FUNCTIONAL DESCRIPTION



WARNING:

• **Always be sure that the tool is switched off and unplugged before adjusting or checking the functions on the tool.** Failure to switch off and unplug may result in serious personal injury from accidental start-up.

Power switch action (Fig. 2)



WARNING:

• **Before plugging in, always check to see that the switch trigger actuates properly and returns to the "OFF" position when released. Do not pull the switch trigger hard without sliding the lock-off lever. This can cause switch breakage.** Operating a tool with a switch that does not actuate properly can lead to loss of control and serious personal injury.

To prevent the switch trigger from being accidentally pulled, a lock-off lever is provided.

To start the tool, slide the lock-off lever forward and then pull the switch trigger. Release the switch trigger to stop.

Nylon cutting head (Fig. 3)

NOTICE:

- Do not attempt to bump feed the head while the tool is operating at a high RPM. Bump feeding at a high RPM may cause damage to the nylon cutting head.
- The bump feed will not operate properly if the head is not rotating.

NOTE:

- Standard accessory varies depending on the model and country.

The nylon cutting head is a dual grass trimmer head provided with a bump & feed mechanism.

To feed out the nylon cord, bump the cutting head against the ground while the cutting head is rotating.

NOTE:

- If the nylon cord does not feed out while bumping the head, rewind/replace the nylon cord by following the procedures described under "Maintenance."

Cable holder (Fig. 4)

Make a small loop of power cable, and hang it onto the cable holder.

ASSEMBLY

⚠ WARNING:

- **Always be sure that the tool is switched off and unplugged before carrying out any work on the tool.** Failure to switch off and unplug may result in serious personal injury from accidental start-up.
- **Never start the tool unless it is completely assembled.** Operation of the tool in a partially assembled state may result in serious personal injury from accidental start-up.

Installing the handle (Fig. 5)

⚠ WARNING:

- Do not remove or shrink the spacer or cushion. The spacer keeps a certain distance between both hands. Setting the grip/barrier assembly close to the other grip beyond the length of the spacer may cause loss of control and serious personal injury.

Fit the handle and the barrier onto the rubber part on the shaft pipe. Adjust the location of the handle, and then tighten them with four bolts.

Approved combination of cutting tool and protector

⚠ WARNING:

- **Always use the tool with the approved combination of the safety equipments.** Otherwise contact with a cutting tool may cause serious injury.
- **Never use the tool without the guard illustrated in place.** Failure to do so can cause serious personal injury.

NOTE:

- Standard accessory varies depending on the model and country.

For cutter blade (Fig. 6)

For nylon cutting head (Fig. 7)

Installing the protector for cutter blade (Fig. 8)

1. Align the holes on the inner protector and the holes of the gear case.
2. Then tighten them with three bolts.

Installing the protector for nylon head

⚠ CAUTION:

- Take care not to injure yourself on the cutter for cutting the nylon cord.
 - Do not forget to remove the cutter protector before using.
1. Align the four bolts on the outer protector along the holes on the inner protector. (Fig. 9)
 2. Tighten them with the four bolts.
 3. Align the holes on the inner protector and the holes of the gear case.
 4. Tighten them with bolts. (Fig. 10)

Installing the cutter blade

⚠ WARNING:

- **The outside diameter of the cutter blade must be 230 mm.** Never use any blade exceeding 230 mm in outside diameter.

⚠ CAUTION:

- The cutter blade must be well polished, free of cracks or breakage. Polish or replace the cutter blade every three hours of operation.
- Always wear gloves when handling the cutter blade.
- Always attach the blade cover when the tool is not in use or is being transported.
- The cutter blade-fastening nut wears out in course of time. If there appears any wear or deformation on, replace the nut. Ask your local authorized service center to order it.

NOTICE:

- Be sure to use genuine cutter blade.

Turn the tool upside down so that you can replace the cutter blade easily. (Fig. 11)

1. Fit the receive washer on the axis.
2. Turn the receive washer until the notch on the receive washer comes on the notch of the gear case.
3. Insert the round bar through both notches so that receive washer can not be turned.
4. Put the blade on the receive washer.
5. Put the clamp washer on the blade.
6. Put the cup on the blade.
7. Tighten them with the nut by turning it counterclockwise while holding the round bar.

To remove the blade, perform the above steps in reverse.

Installing nylon cutting head (Fig. 12)

NOTICE:

- Be sure to use genuine nylon cutting head.

Turn the tool upside down so that you can replace the nylon cutting head easily.

NOTE:

- Remove the cover on the cord cutter before use.

1. Fit the receive washer on the axis.
2. Turn the receive washer until the notch on the receive washer comes on the notch of the gear case.
3. Insert the round bar through both notches so that receive washer can not be turned.
4. Fit the nylon cutting head by turning it counterclockwise.
5. Remove the round bar after installing the nylon cutting head.

To remove the nylon head, perform the above steps in reverse.

OPERATION

Correct handling of tool (Fig. 13)

Correct posture

WARNING:

- **Always position the tool on your right-hand side so that the barrier is always in front of your body.** Correct positioning of the tool allows for maximum control and will reduce the risk of serious personal injury caused by kickback.

CAUTION:

- **If during operation the cutting tool accidentally impacts a rock or hard object, stop the tool and inspect for any damage. If the cutting tool is damaged, replace it immediately.** Use of a damaged cutting tool could result in serious personal injury.

Put the shoulder harness on your left shoulder by putting your head and right arm through it and keep the tool on your right side while always keeping the barrier in front of your body.

Attachment of shoulder harness (Fig. 14)

Adjust the harness length so that the cutting tool is kept parallel with the ground.

Connect the hanger and the harness.

WARNING:

- **Be extremely careful to maintain control of the tool at all times. Do not allow the tool to be deflected toward you or anyone in the work vicinity.** Failure to keep control of the tool could result in serious injury to the bystander and the operator.

Adjustment of the hanger position and shoulder harness (Fig. 15)

Adjust the hanger position as illustrated. (Fig. 16)

To change the hanger position, loosen the bolt on the hanger. Then move the hanger.

After adjusting the hanger position, tighten the bolt with the wrench securely.

MAINTENANCE

WARNING:

- **Always be sure that the tool is switched off and unplugged before attempting to perform inspection or maintenance on the tool.** Failure to switch off and unplug may result in serious personal injury from accidental start-up.

NOTICE:

- Never use gasoline, benzene, thinner, alcohol or the like. Discoloration, deformation or cracks may result.

Replacing the nylon cord (Fig. 17)

WARNING:

- **Make sure that the nylon cutting head is secured to the tool properly before operation.** Failure to properly secure the nylon cutting head may cause it to fly apart resulting in serious personal injury.

1. Remove the nylon cutting head.
2. Take off the cover, pressing two latches which are slotted section oppositely on side of the cup.
3. Remove the spool. And remove the old nylon cord from the spool.
4. Cut a nylon line in 3 – 6 m. Fold the cutting line in two halves, leave one of half longer 80 – 100 mm than another. (Fig. 18)
5. Hook the middle of the new nylon cord to the notch located at the center of the spool between the two channels provided for the nylon cord. (Fig. 19)
6. Wind both ends firmly along the channels in the direction indicated by arrow mark on the spool. (Fig. 20)
7. Put the nylon cords through the eyelets to come out of the cup.
8. Align the protrusion on the underside of the cover with the slots of the eyelets. Then push the cover firmly onto the cup to secure it. Make sure the latches fully spread in the cover.

To maintain product SAFETY and RELIABILITY, repairs, any other maintenance or adjustment should be performed by Makita Authorized Service Centers, always using Makita replacement parts.

MAINTENANCE INTERVAL

Parts:	Interval:	How to:
Power cord	Every time before using	Visually inspect whether it is not badly worn or damaged. If it is damaged, ask your local service center for repair.
Auxiliary handle screw	Every time before using	Check whether screw is not loose. Tighten the screw if it is loose. Replace the screw if it is damaged.
Cutting tool guard (protector)	Every time before using	Check whether screw is not loose, whether protector is not damaged. Tighten the screw if it is loose. Replace the protector if it is damaged.
Cutter blade	Every 10 h	Lubricate with anticorrosive oil after each use. Check whether it is not damaged. Replace it if it is damaged.
Nylon cutting head	Every 10 h	Visually inspect whether it is not badly worn or damaged. Replace it if it is damaged.
Gear shaft	Every 10 h	Lubricate with anticorrosive oil.

TROUBLESHOOTING

Before asking for repairs, conduct your own inspection first. If you find a problem that is not explained in the manual, do not attempt to dismantle the tool. Instead, ask Makita Authorized Service Centers, always using Makita replacement parts for repairs.

Malfunction status	Cause	Action
Motor does not run.	Power mains is not plugged in.	Plug in the mains.
	Power cable broken.	Ask your local authorized service center for repair.
	The drive system does not work correctly.	
Motor stops running after a little use.	Overheating.	Stop using of tool to allow it to cool down.
It does not reach maximum RPM.	The drive system does not work correctly.	Ask your local authorized service center for repair.
Cutting tool does not rotate: stop the machine immediately!	Foreign object such as a branch is jammed between the guard and the cutting tool.	Remove the foreign object.
	Cutter blade fastening nut is loose.	Tighten the nut properly as described in this manual.
	The cutter blade is bended.	Replace the cutter blade.
	The drive system does not work correctly.	Ask your local authorized service center for repair.
Abnormal vibration: stop the machine immediately!	One end of the nylon cord has been broken.	Bump the nylon cutting head against the ground while it is rotating to cause the cord to feed.
	The cutter blade is bended, cracked or worn.	Replace the cutter blade.
	Cutter blade fastening nut is loose.	Tighten the nut properly as described in this manual.
	Cutter blade is fastened improperly.	
The drive system does not work correctly.	Ask your local authorized service center for repair.	
Cutting tool and motor cannot stop: Disconnect the mains plug immediately!	Electric or electronic malfunction.	Disconnect the mains plug and ask your local authorized service center for repair.

OPTIONAL ACCESSORIES

CAUTION:

- These accessories or attachments are recommended for use with your Makita tool specified in this manual. The use of any other accessories or attachments might present a risk of injury to persons. Only use accessory or attachment for its stated purpose.

If you need any assistance for more details regarding these accessories, ask your local Makita Service Center.

- Cutter blade
- Nylon cutting head
- Nylon cord (cutting line)
- Shoulder harness

NOTE:

- Some items in the list may be included in the tool package as standard accessories. They may differ from country to country.

Erläuterung der Gesamtansicht

- | | | |
|---|--------------------------------|-------------------|
| 1 Kabelhalter | 10 Schneidwerkzeug | 21 Klemmscheibe |
| 2 Netzkabel (die Form kann je nach Land unterschiedlich sein) | 11 Schultergurt | 22 Becher |
| 3 Hinterer Handgriff | 12 Polster | 23 Mutter |
| 4 Einschaltsperrhebel | 13 Effektivster Schnittbereich | 24 Nylonfadenkopf |
| 5 Elektronikschalter | 14 Handgriff | 25 Fadenschneider |
| 6 Vorderer Handgriff | 15 Gummitel | 26 Abdeckung |
| 7 Aufhänger (Aufhängepunkt) | 16 Innere Schutzhaube | 27 Aufhänger |
| 8 Sperre | 17 Äußere Schutzhaube | 28 80 – 100 mm |
| 9 Schneidwerkschutz (Schutzhaube) | 18 Aufnahmescheibe | 29 Spule |
| | 19 Rundstift | |
| | 20 Messer | |

TECHNISCHE DATEN

Modell	UR2300	UR3502
Handgrifftyp	Ringgriff	
Gesamtlänge	1 630 mm	
Dauer-Nennleistung	1 000 W	
Leerlaufdrehzahl	5 700 min ⁻¹	5 700 min ⁻¹
Schneidwerkzeug	Schneidblatt	Nylonfadenkopf
Schnittbreite	230 mm	350 mm
Nettogewicht	4,7 kg	4,9 kg
Schutzart	□ / II	

- Aufgrund unseres Dauerprogramms der Forschung und Entwicklung unterliegen die hier angegebenen technischen Daten Änderung ohne Vorankündigung.
- Die technischen Daten können von Land zu Land unterschiedlich sein.
- Gewicht nach EPTA-Verfahren 01/2003

Geräusch	Durchschnittlicher Schalldruckpegel		Durchschnittlicher Schalleistungspegel		Zutreffender Standard
	L _{PA} (dB (A))	Unsicherheit K (dB (A))	L _{WA} (dB (A))	Unsicherheit K (dB (A))	
Schneidwerkzeug					
Schneidblatt	80,8	2,5	93,45	1,23	EN 60335-1, EN 50636-2-91, EN ISO 11806
Nylonfadenkopf	85,3	2,5	93,84	1,58	

- Einen Gehörschutz tragen.

Vibration	Vorderer Griff		Hinterer Griff		Zutreffender Standard
	a _v (m/s ²)	Unsicherheit K (m/s ²)	a _v (m/s ²)	Unsicherheit K (m/s ²)	
Schneidwerkzeug					
Schneidblatt	2,856	1,5	2,712	1,5	EN 60335-1, EN 50636-2-91, EN ISO 11806
Nylonfadenkopf	2,768	1,5	2,694	1,5	

- Der angegebene Vibrationsemissionswert wurde im Einklang mit der Standardprüfmethode gemessen und kann für den Vergleich zwischen Geräten herangezogen werden.
- Der angegebene Vibrationsemissionswert kann auch für eine Vorbewertung des Gefährdungsgrads verwendet werden.

⚠️ WARNUNG:

- Die Vibrationsemission während der tatsächlichen Benutzung des Elektrowerkzeugs kann je nach der Benutzungsweise des Gerätes vom angegebenen Emissionswert abweichen.

- Identifizieren Sie Sicherheitsmaßnahmen zum Schutz des Benutzers anhand einer Schätzung des Gefährdungsgrads unter den tatsächlichen Benutzungsbedingungen (unter Berücksichtigung aller Phasen des Arbeitszyklus, wie z. B. Ausschalt- und Leerlaufzeiten des Gerätes zusätzlich zur Betriebszeit).



- Nur für EU-Länder
Werfen Sie Elektrogeräte nicht in den Hausmüll!
Unter Einhaltung der Europäischen Richtlinie über Elektro- und Elektronik-Altgeräte und ihrer Umsetzung gemäß den Landesgesetzen müssen Elektrogeräte, die das Ende ihrer Lebensdauer erreicht haben, getrennt gesammelt und einer umweltgerechten Recycling-Einrichtung zugeführt werden.

Symbole

Nachfolgend werden die für das Gerät verwendeten Symbole beschrieben. Machen Sie sich vor der Benutzung mit ihrer Bedeutung vertraut.



- Besondere Umsicht und Aufmerksamkeit erforderlich.



- Gebrauchsanleitung lesen.



- Gefahr durch herausgeschleuderte Objekte.



- Der Abstand zwischen dem Gerät und Umstehenden sollte mindestens 15 m betragen.



- Umstehende fernhalten.



- Helm, Schutzbrille und Gehörschutz tragen.



- Schutzhandschuhe tragen.



- Festes Schuhwerk mit rutschfesten Sohlen tragen. Sicherheitsschuhe mit Stahl-Zehenkappen werden empfohlen.



- Keiner Feuchtigkeit aussetzen.



- Den Netzstecker abziehen, falls das Netzkabel beschädigt oder verheddert wird.



- Rückstoß vermeiden.



- Mindestens 15 m Abstand halten.



- DOPPELTE ISOLIERUNG

Nur für europäische Länder

EG-Konformitätserklärung

Makita erklärt, dass die folgende(n) Maschine(n):

Bezeichnung der Maschine:
Elektro-Trimmer
Modell-Nr./Typ: UR2300, UR3502
Technische Daten: Siehe Tabelle „TECHNISCHE DATEN“.

den folgenden europäischen Richtlinien entsprechen:

2000/14/EG, 2006/42/EG, 2004/108/EG

Sie werden gemäß den folgenden Standards oder standardisierten Dokumenten hergestellt:

EN ISO 11806-1 (für Grasschneiderfunktion),
EN 60335-1, EN 62233, EN 55014-1, EN 55014-2,
EN 61000-3-2, EN 61000-3-3, EN 50636-2-91 (für Rasentrimmerfunktion)

Die technische Akte in Übereinstimmung mit 2006/42/EG ist erhältlich von:

Makita, Jan-Baptist Vinkstraat 2, 3070, Belgien

(Nur für Modell UR2300: mit Schneidblatt)

Das von der Richtlinie 2000/14/EG geforderte Konformitätsbewertungsverfahren war in Übereinstimmung mit Anhang V.

Gemessener Schalleistungspegel: 93,45 dB (A)

Garantierter Schalleistungspegel: 96 dB (A)

(Für Modell UR2300, UR3502: mit Nylonfadkopf)

Das von der Richtlinie 2000/14/EG geforderte Konformitätsbewertungsverfahren war in Übereinstimmung mit Anhang VI.

Gemeldete Stelle:

Société Nationale de Certification et d'Homologation
11, rue de Luxembourg L-5230 Sandweiler
Identifikationsnummer 0499

Gemessener Schalleistungspegel: 93,84 dB (A)

Garantierter Schalleistungspegel: 96 dB (A)

30.1.2015



Yasushi Fukaya
Geschäftsführer

Makita, Jan-Baptist Vinkstraat 2, 3070, Belgien

Allgemeine Sicherheitshinweise für Elektrowerkzeuge

⚠️ WARNUNG Lesen Sie alle Sicherheitshinweise und Anweisungen sorgfältig durch. Wenn die Hinweise und Anweisungen nicht beachtet werden, besteht die Gefahr eines Stromschlags, Brands und/oder das Risiko von ernsthaften Verletzungen.

Bewahren Sie alle Hinweise und Anweisungen zur späteren Referenz gut auf.

Der Begriff „Elektrowerkzeug“ bezieht sich in den Warnhinweisen auf Ihr netzbetriebenes Elektrowerkzeug (mit Kabel) oder Ihr aku- bzw. batteriebetriebenes Elektrowerkzeug (ohne Kabel).

Sicherheit am Arbeitsplatz

- Achten Sie auf ein sauberes und gut beleuchtetes Arbeitsumfeld.** In unordentlichen oder dunklen Bereichen können schnell Unfälle passieren.
- Betreiben Sie keine Elektrowerkzeuge in explosionsgefährdeter Umgebung, wie etwa in der Nähe von brennbaren Flüssigkeiten, Gasen oder Staub.** Bei Elektrowerkzeugen treten Funken aus, die Staub und Ausdünstungen entzünden können.
- Halten Sie Kinder und Zuschauer auf Abstand, wenn Sie ein Elektrowerkzeug bedienen.** Ablenkung kann zu Kontrollverlust führen.

Elektrische Sicherheit

- Die Stecker des Elektrowerkzeugs müssen in die Steckdose passen. Verändern Sie niemals den Stecker. Verwenden Sie keine Adapterstecker bei geerdeten Elektrowerkzeugen.** Originalstecker und passende Steckdosen reduzieren das Risiko eines Stromschlags.
- Vermeiden Sie Körperkontakt mit geerdeten Oberflächen, wie Rohren, Kühlern, Heiz- und Kühlelementen.** Wenn Ihr Körper geerdet ist, besteht ein erhöhtes Risiko eines Stromschlags.
- Das Elektrowerkzeug darf weder Regen noch Feuchtigkeit ausgesetzt werden.** Wenn Wasser in ein Elektrowerkzeug eindringt, erhöht dies das Risiko eines Stromschlags.
- Gehen Sie ordnungsgemäß mit dem Stromkabel um. Verwenden Sie nie das Kabel, um das Elektrowerkzeug zu transportieren oder zu ziehen oder den Stecker herauszuziehen. Halten Sie das Kabel von Hitze, Öl, scharfen Kanten und beweglichen Teilen fern.** Beschädigte oder verwickelte Kabel erhöhen das Risiko eines Stromschlags.
- Verwenden Sie ein dafür geeignetes Verlängerungskabel, wenn Sie das Elektrowerkzeug im Freien betreiben.** Die Verwendung eines für den Gebrauch im Freien vorgesehenen Verlängerungskabels vermindert das Risiko eines Stromschlags.
- Wenn sich der Einsatz des Elektrowerkzeugs an einem feuchten Ort nicht vermeiden lässt, verwenden Sie für die Stromversorgung einen RCD-Schutzschalter (GFCI, früher als FI-Schutzschalter bezeichnet).** Durch die Verwendung eines RCD-Schutzschalters (GFCI) verringert sich die Gefahr eines Stromschlags.

10. Es wird grundsätzlich empfohlen, eine Stromversorgung mit RCD-Schutzschalter zu verwenden, der bei einem Fehlerstrom von max. 30 mA auslöst.

Persönliche Sicherheit

11. **Bleiben Sie wachsam, achten Sie auf das, was Sie tun, und gebrauchen Sie Ihren gesunden Menschenverstand, wenn Sie ein Elektrowerkzeug benutzen. Betreiben Sie Elektrowerkzeuge nicht, wenn Sie müde sind oder unter dem Einfluss von Drogen, Alkohol oder Medikamenten stehen.** Ein Moment der Unachtsamkeit kann beim Umgang mit Elektrowerkzeugen zu schweren Personenschäden führen.
12. **Verwenden Sie zu Ihrem Schutz eine geeignete Sicherheitsausrüstung. Benutzen Sie immer eine Schutzbrille.** Den Umständen angepasste Sicherheitsausrüstungen, z.B. Staubmasken, rutschfreie Sicherheitsschuhe, Helme und Hörschutz, vermindern das Verletzungsrisiko.
13. **Vermeiden Sie ein versehentliches Einschalten des Werkzeugs. Vergewissern Sie sich, dass es ausgeschaltet ist, bevor Sie es an eine Stromquelle und/oder den Akku anschließen, hochheben oder transportieren.** Der Transport des Geräts mit dem Finger auf dem Schalter und das Einstöpseln eingeschalteter Elektrowerkzeuge können zu Unfällen führen.
14. **Entfernen Sie alle Einstell- und sonstigen Schlüssel, bevor Sie das Elektrowerkzeug einschalten.** Auf den rotierenden Teilen eines Elektrowerkzeugs belassene Schlüssel können zu Verletzungen führen.
15. **Übernehmen Sie sich nicht. Achten Sie jederzeit auf sicheren Stand und Balance.** Dies ermöglicht die bessere Kontrolle des Elektrowerkzeugs in unvorhergesehenen Situationen.
16. **Tragen Sie geeignete Kleidung. Tragen Sie keine weite Kleidung oder Schmuck. Halten Sie Haar, Kleidung und Handschuhe fern von beweglichen Teilen.** Weite Kleidung, Schmuck und langes Haar können sich in den beweglichen Teilen verfangen.
17. **Falls Geräte zum Absaugen und Sammeln von Staub vorhanden sind, schließen Sie diese an und verwenden Sie sie ordnungsgemäß.** Die Verwendung einer Vorrichtung zum Sammeln von Staub kann Gefahren verringern, die mit Staub in Zusammenhang stehen.

Verwendung und Pflege von Elektrowerkzeugen

18. **Verwenden Sie das Elektrowerkzeug nicht mit Gewalt. Benutzen Sie das für die jeweilige Anwendung geeignete Elektrowerkzeug.** Das richtige Werkzeug erfüllt seinen Zweck am besten und sichersten in dem Zusammenhang, für den es hergestellt wurde.
19. **Verwenden Sie kein Elektrowerkzeug, das sich nicht mit dem Schalter ein- und ausschalten lässt.** Jedes Elektrowerkzeug, dessen Schalter nicht funktioniert, stellt eine Gefahr dar und muss repariert werden.
20. **Ziehen Sie den Stecker aus der Steckdose bzw. den Akku aus dem Gerät, bevor Sie Einstellungen am Elektrowerkzeug vornehmen, Zubehör wechseln oder das Gerät lagern.** Diese präventiven Sicherheitsmaßnahmen reduzieren das Risiko eines versehentlichen Starts.

21. **Lagern Sie nicht verwendete Elektrowerkzeuge außerhalb der Reichweite von Kindern und erlauben Sie niemandem, der mit dem Betrieb des Elektrowerkzeugs oder den vorliegenden Anweisungen nicht vertraut ist, dieses zu benutzen.** In den Händen ungeübter Benutzer sind Elektrowerkzeuge gefährlich.
22. **Elektrowerkzeuge müssen ordnungsgemäß gewartet werden. Halten Sie Ausschau nach fehlerhaften Verbindungen, festsitzenden beweglichen Teilen, Defekten und allen anderen Bedingungen, die die Funktionsweise des Elektrowerkzeugs beeinträchtigen können. Lassen Sie bei einer Beschädigung das Elektrowerkzeug vor dem Gebrauch reparieren.** Viele Unfälle werden durch schlecht gewartete Elektrowerkzeuge verursacht.
23. **Halten Sie Schneidwerkzeug scharf und sauber.** Ordentlich gewartete Schneidwerkzeuge mit scharfen Schneidkanten verhaken nicht so schnell und sind einfacher in der Handhabung.
24. **Verwenden Sie das Elektrowerkzeug, das Zubehör, die Werkzeugeinsätze usw. in Übereinstimmung mit diesen Anweisungen und beachten Sie dabei die Arbeitsbedingungen und die durchzuführende Arbeit.** Die Verwendung eines Elektrowerkzeugs für Arbeitsgänge, für die es nicht konzipiert wurde, kann zu Gefahrensituationen führen.

Wartung

25. **Lassen Sie das Elektrowerkzeug ausschließlich von Fachpersonal unter Verwendung von Originalersatzteilen warten.** Dies gewährleistet die dauerhafte Sicherheit des Elektrowerkzeugs.
26. **Befolgen Sie die Anweisungen hinsichtlich Schmiermittel und Austauschzubehör.**
27. **Achten Sie darauf, dass die Griffe trocken, sauber und frei von Öl und Schmiermittel sind.**

WICHTIGE SICHERHEITSVORSCHRIFTEN

⚠️ WARNUNG! Lesen Sie alle Sicherheitswarnungen und Anweisungen durch. Eine Missachtung der unten aufgeführten Warnungen und Anweisungen kann zu einem elektrischen Schlag, Brand und/oder schweren Verletzungen führen.

Bewahren Sie alle Warnungen und Anweisungen für spätere Bezugnahme auf.

Verwendungszweck

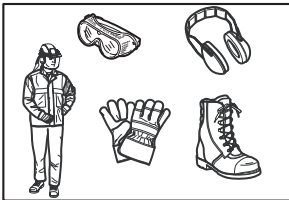
1. Der Rasentrimmer/Freischneider/Fadentrimmer ist nur für das Schneiden von Gras, Unkraut, Gebüsch und Gestrüpp vorgesehen. Das Gerät sollte nicht für andere Zwecke, wie Kanten- oder Heckenschneiden, verwendet werden, weil dadurch Verletzungen verursacht werden können.

Allgemeine Vorschriften

1. Lassen Sie keinesfalls Personen, die nicht mit dieser Anleitung vertraut sind, Personen (einschließlich Kinder) mit verminderten körperlichen, sensorischen oder geistigen Fähigkeiten oder Mangel an Erfahrung und Kenntnissen das Gerät benutzen. Kinder sollten beaufsichtigt werden, um sicherzugehen, dass sie nicht mit dem Gerät spielen.
2. Bevor Sie das Gerät in Betrieb nehmen, sollten Sie diese Bedienungsanleitung durchlesen, um sich mit der Handhabung des Gerätes vertraut zu machen.

- Leihen Sie das Gerät keiner Person mit ungenügender Erfahrung oder Kenntnissen bezüglich der Handhabung von Freischneidern und Fadentrimmern.
- Wenn Sie das Gerät verleihen, fügen Sie stets diese Bedienungsanleitung bei.
- Behandeln Sie das Gerät mit äußerster Sorgfalt und Aufmerksamkeit.
- Benutzen Sie das Gerät niemals nach der Einnahme von Alkohol oder Drogen, oder wenn Sie sich müde oder krank fühlen.
- Versuchen Sie niemals, das Gerät zu modifizieren.
- Hüten Sie sich vor Verletzungen durch Vorrichtungen, die zum Abschneiden der Fadenlänge angebracht wurden. Nachdem Sie den neuen Schneidfaden ausgezogen haben, bringen Sie das Gerät stets wieder in seine normale Betriebsposition, bevor Sie es einschalten.
- Befolgen Sie die Vorschriften über die Handhabung von Freischneidern und Fadentrimmern in Ihrem Land.
- Untersuchen Sie den Arbeitsbereich vor Arbeitsbeginn auf Steine oder andere feste Objekte. Diese können herausgeschleudert werden oder gefährlichen Rückstoß verursachen, was zu ernsthaften Verletzungen und/oder Beschädigung von Eigentum führen kann.
- ⚠ WARNUNG:** Durch die Benutzung dieses Produkts kann Staub aufgewirbelt werden, der Chemikalien enthält, die Erkrankungen der Atemwege oder andere Krankheiten verursachen können. Beispiele solcher Chemikalien sind Stoffe, die in Pestiziden, Insektiziden, Düngemitteln und Herbiziden anzutreffen sind. Ihre Gefährdung durch den Umgang mit solchen Chemikalien hängt davon ab, wie oft Sie diese Arbeiten verrichten. Um Ihre Gefährdung durch diese Chemikalien zu reduzieren: Arbeiten Sie in gut belüfteter Umgebung, und verwenden Sie geprüfte Sicherheitsvorrichtungen, wie z.B. Staubmasken, die mikroskopische Teilchen herausfiltern.

Persönliche Schutzausrüstung



- Tragen Sie einen Schutzhelm, eine Schutzbrille und Schutzhandschuhe, um sich vor zersplitterndem Unrat oder fallenden Gegenständen zu schützen.
- Tragen Sie einen Gehörschutz, wie z. B. Ohrschützer, um eine Gehörschädigung zu verhindern.
- Tragen Sie sachgerechte Kleidung und Schuhe für sicheren Betrieb, wie z. B. einen Arbeitsoverall und robustes, rutschfestes Schuhwerk. Tragen Sie keine lose Kleidung oder Schmuck. Lose Kleidung, Schmuck oder langes Haar kann sich in beweglichen Teilen verfangen.
- Tragen Sie Schutzhandschuhe, wenn Sie das Schneidblatt berühren müssen. Schneidblätter können schwere Verletzungen an bloßen Händen verursachen.

Sicherheit im Arbeitsbereich

- Betreiben Sie das Gerät nur bei Tageslicht unter guten Sichtverhältnissen. Betreiben Sie das Gerät nicht bei Dunkelheit oder Nebel.
- Betreiben Sie das Werkzeug nicht in explosiven Umgebungen, wie z. B. in Gegenwart von brennbaren Flüssigkeiten, Gasen oder Staub. Das Gerät erzeugt Funken, die den Staub oder die Dämpfe entzünden können.
- Stellen Sie sich während der Arbeit niemals auf eine instabile oder schlüpfrige Fläche oder einen steilen Hang. Nehmen Sie sich während der kalten Jahreszeit vor Eis und Schnee in Acht, und achten Sie stets auf sicheren Stand.
- Halten Sie Umstehende oder Tiere während der Arbeit mindestens 15 m vom Gerät entfernt. Halten Sie das Gerät an, sobald jemand sich nähert.

Elektrische Sicherheit

- Der Stecker des Elektrowerkzeugs muss an die Steckdose angepasst sein. Der Stecker darf auf keinen Fall in irgendeiner Form abgeändert werden. Verwenden Sie keine Adapterstecker mit geerdeten Elektrowerkzeugen.** Vorschriftsmäßige Stecker und passende Steckdosen reduzieren die Stromschlaggefahr.
- Vermeiden Sie Körperkontakt mit geerdeten Gegenständen (z. B. Rohre, Kühler, Herde, Kühlschränke).** Es besteht erhöhte Stromschlaggefahr, falls Ihr Körper Erdkontakt hat.
- Setzen Sie das Gerät keinem Regen oder Nässe aus. Wasser, das in das Gerät eindringt, erhöht die Stromschlaggefahr.
- Das Kabel sorgfältig behandeln. Benutzen Sie das Kabel niemals zum Tragen, Ziehen oder Abtrennen des Elektrowerkzeugs. Halten Sie das Kabel von Hitze, Öl, scharfen Kanten oder beweglichen Teilen fern.** Ein beschädigtes oder verheddertes Kabel erhöht die Stromschlaggefahr.
- Benutzen Sie das Gerät nicht, wenn es sich nicht mit dem Ein-Aus-Schalter ein- und ausschalten lässt. Ein Gerät, das nicht auf die Schalterbetätigung reagiert, ist gefährlich und muss repariert werden.
- Wenn Sie ein Elektrowerkzeug im Freien betreiben, verwenden Sie ein für Freiluftbenutzung geeignetes Verlängerungskabel.** Die Verwendung eines für Freiluftbenutzung geeigneten Kabels reduziert die Stromschlaggefahr.
- Lässt sich der Einsatz eines Elektrowerkzeugs in feuchter Umgebung nicht vermeiden, verwenden Sie eine Stromversorgung, die mit einem Fehlerstrom-Schutzschalter (RCD) geschützt ist.** Der RCD verringert die Gefahr eines elektrischen Schlags.
- Die Verwendung einer Stromversorgung über einen RCD mit einem Nennreststrom von maximal 30 mA ist stets zu empfehlen.**
- Unbeabsichtigtes Einschalten verhindern. Vergewissern Sie sich, dass sich der Ein-Aus-Schalter in der Aus-Stellung befindet, bevor Sie die Stromquelle anschließen bzw. das Gerät aufheben oder tragen. Das Tragen von Elektrowerkzeugen mit dem Finger am Ein-Aus-Schalter oder das Anschließen bei eingeschaltetem Ein-Aus-Schalter führt zu Unfällen.

10. Überprüfen Sie das Netzkabel und Verlängerungskabel vor der Benutzung auf Anzeichen von Beschädigung oder Alterung.
11. Falls das Kabel während der Benutzung beschädigt wird, trennen Sie das Kabel sofort vom Stromnetz. **Berühren Sie das Kabel nicht vor dem Abtrennen der Stromquelle.**
12. Benutzen Sie das Gerät nicht, wenn die Kabel beschädigt oder verschlissen sind.
13. Halten Sie das Verlängerungskabel von Schneidelementen fern.
7. Überprüfen Sie den Zustand des Gerätes vor jeder Benutzung und nach einem schweren Aufprall oder Sturz, bevor Sie die Arbeit fortsetzen. Überprüfen Sie die Bedienelemente und Sicherheitsvorrichtungen auf Fehlfunktionen. Falls Sie einen Schaden feststellen oder Zweifel haben, wenden Sie sich bezüglich einer Inspektion und Reparatur an unser autorisiertes Service-Center.
8. Berühren Sie nicht das Antriebsgehäuse. Das Antriebsgehäuse wird während des Betriebs heiß.
9. Machen Sie eine Pause, um durch Müdigkeit verursachten Verlust der Kontrolle zu verhüten. Wir empfehlen, jede Stunde eine Pause von 10 bis 20 Minuten einzulegen.

Inbetriebnahme

1. Ziehen Sie unbedingt den Netzstecker von der Stromquelle ab, bevor Sie das Gerät zusammenbauen oder einstellen.
2. Tragen Sie Schutzhandschuhe, bevor Sie das Schneidblatt berühren.
3. Überprüfen Sie das Gerät auf Beschädigung, lose Schrauben/Muttern oder falschen Zusammenbau, bevor Sie es ans Stromnetz anschließen. Schärfen Sie ein stumpfes Schneidblatt. Falls das Schneidblatt verbogen oder beschädigt ist, tauschen Sie es aus. Überprüfen Sie alle Bedienungshebel und Schalter auf Leichtgängigkeit. Säubern und trocknen Sie die Handgriffe.
4. Versuchen Sie niemals, das Gerät einzuschalten, wenn es beschädigt oder nicht vollständig zusammengebaut ist. Anderenfalls kann es zu ernsthaften Verletzungen kommen.
5. Etwaige Einstell- oder Schraubenschlüssel sind vor dem Einschalten des Gerätes zu entfernen. Ein Schrauben- oder Einstellschlüssel, der auf einem rotierenden Teil des Gerätes stecken gelassen wird, kann zu einer Verletzung führen.
6. Stellen Sie den Schultergurt und den Handgriff auf die Körpergröße des Bedieners ein.
7. Wenn Sie das Gerät ans Stromnetz anschließen, halten Sie das Schneidwerk von Ihrem Körper und anderen Objekten, einschließlich des Bodens, fern. Das Schneidwerk kann sich beim Starten drehen und Verletzungen oder Sachschäden an Gerät und/oder Eigentum verursachen.
10. Wenn Sie das Gerät unbeaufsichtigt lassen, auch nur für kurze Zeit, ziehen Sie stets den Netzstecker ab. Bleibt der Netzstecker des unbeaufsichtigten Gerätes eingesteckt, kann das Gerät von einer unbefugten Person benutzt werden und einen schweren Unfall verursachen.
11. Falls sich Gras oder Äste zwischen Schneidwerk und Schutzhaube verfangen, schalten Sie stets das Gerät aus, und ziehen Sie den Netzstecker ab, bevor Sie mit der Säuberung beginnen. Anderenfalls kann sich das Schneidwerk unbeabsichtigt in Bewegung setzen und ernsthafte Verletzungen verursachen.
12. Falls das Schneidwerk auf Steine oder andere harte Objekte trifft, schalten Sie das Gerät sofort aus. Ziehen Sie dann den Netzstecker ab, und überprüfen Sie das Schneidwerk.
13. Überprüfen Sie das Schneidwerk während des Betriebs öfter auf Risse oder Beschädigung. Ziehen Sie vor der Inspektion den Netzstecker ab, und warten Sie, bis das Schneidwerk vollständig zum Stillstand kommt. Wechseln Sie ein beschädigtes Schneidwerk unverzüglich aus, selbst wenn es nur oberflächliche Risse aufweist.
14. Schneiden Sie niemals über der Hüfthöhe.
15. Bevor Sie mit der Schneidarbeit beginnen, warten Sie, bis das Schneidwerk nach dem Einschalten des Gerätes eine konstante Drehzahl erreicht.
16. Wenn Sie Metallmesser verwenden, schwenken Sie das Gerät gleichmäßig in einem Halbkreis von rechts nach links wie eine Sense.
17. Halten Sie das Gerät nur an den isolierten Griffflächen, wenn die Gefahr besteht, dass das Schneidblatt verborgene Kabel kontaktiert. Bei Kontakt mit einem Strom führenden Kabel können die freiliegenden Metallteile des Gerätes ebenfalls Strom führend werden, so dass der Bediener einen elektrischen Schlag erleiden kann.
18. Achten Sie stets darauf, dass die Belüftungsöffnungen frei von Unrat sind.

Betrieb

1. Schalten Sie das Gerät im Notfall unverzüglich aus.
2. Falls Sie während des Betriebs einen ungewöhnlichen Zustand (z. B. Geräusche, Vibrationen) feststellen, schalten Sie das Gerät aus. Benutzen Sie das Gerät erst wieder, nachdem die Ursache festgestellt und behoben worden ist.
3. Warnung. Das Schneidwerk dreht sich nach dem Ausschalten des Gerätes noch kurze Zeit weiter. Berühren Sie daher das Schneidwerk nicht voreilig.
4. Benutzen Sie den Schultergurt während des Betriebs. Halten Sie das Gerät sicher auf Ihrer rechten Seite.
5. Übernehmen Sie sich nicht. Achten Sie stets auf sicheren Stand und gute Balance. Achten Sie auf verborgene Hindernisse, wie z. B. Baumstümpfe, Wurzeln und Gräben, um Stolpern zu vermeiden.
6. Arbeiten Sie niemals auf einer Leiter oder einem Baum, um Verlust der Kontrolle zu vermeiden.

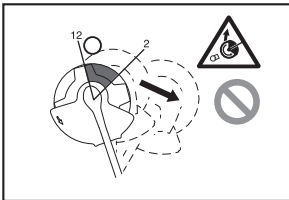
Schneidwerkzeuge

1. Verwenden Sie ein geeignetes Schneidwerkzeug für die anstehende Arbeit.
 - Nylonfadenköpfe (Fadentrimmerköpfe) eignen sich zum Schneiden von Rasen.
 - Metallmesser eignen sich zum Schneiden von Unkraut, hohem Gras, Buschwerk, Gesträuch, Unterholz, Dickicht und dergleichen.
 - Verwenden Sie keinesfalls andere Messer, einschließlich mehrgliedriger Gelenkketten aus Metall und Flieglmesser. Es könnte sonst zu ernsthaften Verletzungen kommen.
2. Montieren Sie stets eine für das verwendete Schneidwerkzeug geeignete Schutzhaube.

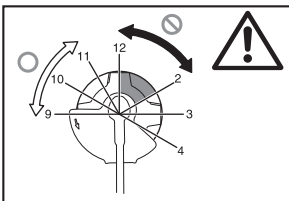
3. Montieren Sie niemals Schneidelemente aus Metall an Nylonfadenmodelle.
4. Wenn Sie Metallmesser verwenden, vermeiden Sie „Rückstoß“, und machen Sie sich immer auf unvorhergesehene Rückstöße gefasst. Siehe den Abschnitt „Rückstoß“.
2. Um die Gefahr von VVS (vibrationsbedingtes vasospastisches Syndrom) zu reduzieren, halten Sie Ihre Hände während der Arbeit warm, und sorgen Sie für gute Wartung von Gerät und Zubehör.

Rückstoß (Messerhieb)

1. Rückstoß (Messerhieb) ist eine plötzliche Reaktion auf ein hängen bleibendes oder klemmendes Schneidblatt. Derartige Rückstöße schleudern das Gerät mit großer Kraft seitwärts oder auf den Bediener zu und können ernsthafte Verletzungen verursachen.
2. Rückstöße treten besonders dann auf, wenn das Messersegment zwischen der 12- und 2-Uhr-Stellung an feste Objekte, Buschwerk und Bäume mit einem Durchmesser von 3 cm oder größer angesetzt wird.



3. Um Rückstoß zu vermeiden:
 - Setzen Sie das Segment zwischen der 8- und 11-Uhr-Stellung an.
 - Setzen Sie das Segment niemals zwischen der 12- und 2-Uhr-Stellung an.
 - Setzen Sie das Segment niemals zwischen der 11- und 12-Uhr-Stellung sowie zwischen der 2- und 5-Uhr-Stellung an, es sei denn, dass Sie gut geschult und erfahren sind und auf eigene Gefahr handeln.
 - Benutzen Sie Schneidblätter niemals in der Nähe von festen Objekten, wie z. B. Zäunen, Mauern, Baumstümpfen und Steinen.
 - Benutzen Sie Schneidblätter niemals senkrecht für solche Arbeiten wie Kanten- und Heckenschneiden.



Vibration

1. Personen mit Kreislaufstörungen, die starken Vibrationen ausgesetzt werden, können Schädigungen der Blutgefäße oder des Nervensystems erleiden. Vibrationen können folgende Symptome an Fingern, Händen oder Handgelenken verursachen: „Einschlafen“ (Taubheit) der Körperteile, Prickeln, Schmerzen, Stechen, Veränderungen der Hautfarbe oder der Haut. Falls eines dieser Symptome auftritt, suchen Sie einen Arzt auf!

Transport

1. Bevor Sie das Gerät transportieren, schalten Sie es aus, und ziehen Sie den Netzstecker ab. Bringen Sie die Abdeckung am Schneidblatt an.
2. Wenn Sie das Gerät transportieren, tragen Sie es in waagerechter Stellung, indem Sie den Stiel halten.
3. Wenn Sie das Gerät in einem Fahrzeug transportieren, sichern Sie es ordnungsgemäß, um Überschlagen zu verhindern. Anderenfalls kann es Beschädigung des Gerätes und anderem Gepäck kommen.

Wartung

1. Lassen Sie Ihr Gerät von einem autorisierten Service-Center warten, und verwenden Sie immer nur Original-Ersatzteile. Falsche Reparatur und schlechte Wartung können die Lebensdauer des Gerätes verkürzen und die Unfallgefahr erhöhen.
2. Bevor Sie Wartungs- oder Reparaturarbeiten durchführen oder das Gerät reinigen, sollten Sie immer das Gerät ausschalten und den Netzstecker abziehen.
3. Tragen Sie stets Schutzhandschuhe bei der Handhabung des Schneidblatts.
4. Säubern Sie das Gerät immer von Staub und Schmutz. Verwenden Sie auf keinen Fall Benzin, Benzol, Verdünner, Alkohol oder dergleichen zu diesem Zweck. Es kann sonst zu Verfärbung, Verformung oder Rissbildung der Kunststoffteile kommen.
5. Ziehen Sie alle Schrauben und Muttern nach jedem Gebrauch fest.
6. Versuchen Sie nicht, Wartungs- oder Reparaturarbeiten durchzuführen, die nicht in der Bedienungsanleitung beschrieben sind. Überlassen Sie solche Arbeiten unserem autorisierten Service-Center.
7. Verwenden Sie immer nur unsere Original-Ersatz- und Zubehörteile. Die Verwendung von Ersatz- oder Zubehörteilen von Drittherstellern kann zu einem Ausfall des Gerätes, Sachschäden und/oder ernsthaften Verletzungen führen.
8. Lassen Sie das Gerät von unserem autorisierten Service-Center in regelmäßigen Abständen inspizieren und warten.

Lagerung

1. Bevor Sie das Gerät lagern, führen Sie eine vollständige Reinigung und Wartung durch. Ziehen Sie den Netzstecker ab. Bringen Sie die Abdeckung am Schneidblatt an.
2. Lagern Sie das Gerät an einem trockenen und hohen oder abschließbaren Ort außer Reichweite von Kindern.
3. Lehnen Sie das Gerät nicht gegen eine Wand oder dergleichen. Anderenfalls kann es plötzlich umkippen und Verletzungen verursachen.

Erste Hilfe

1. Halten Sie stets einen Erste-Hilfe-Kasten in der Nähe. Dem Erste-Hilfe-Kasten entnommenes Material ist sofort wieder aufzufüllen.

- Wenn Sie Hilfe anfordern, machen Sie bitte folgende Angaben:
 - Ort des Unfalls
 - Art des Unfalls
 - Zahl der Verletzten
 - Art der Verletzungen
 - Ihr Name

DIESE ANWEISUNGEN AUFBEWAHREN.

⚠️ WARNUNG:

Lassen Sie sich **NICHT** durch Bequemlichkeit oder Vertrautheit mit dem Produkt (durch wiederholten Gebrauch erworben) von der strikten Einhaltung der Sicherheitsregeln für das vorliegende Produkt abhalten. **MISSBRAUCH** oder Missachtung der Sicherheitsvorschriften in dieser Anleitung können schwere Verletzungen verursachen.

BESCHREIBUNG DER TEILE (Abb. 1)

FUNKTIONSBESCHREIBUNG

⚠️ WARNUNG:

• **Vergewissern Sie sich vor jeder Einstellung oder Funktionsprüfung des Gerätes stets, dass es ausgeschaltet und vom Stromnetz getrennt ist.** Wird das Gerät nicht ausgeschaltet und vom Stromnetz getrennt, kann es zu schweren Verletzungen durch versehentliches Anlaufen kommen.

Funktion des Netzschalters (Abb. 2)

⚠️ WARNUNG:

• **Vergewissern Sie sich vor dem Anschließen des Gerätes an das Stromnetz stets, dass der Elektronikschalter ordnungsgemäß funktioniert und beim Loslassen in die AUS-Stellung zurückkehrt.** Betätigen Sie den Elektronikschalter nicht gewaltsam, ohne den Einschaltsperrhebel zu verschieben. Dies kann zu einer Beschädigung des Schalters führen. Der Betrieb eines Gerätes mit fehlerhaftem Schalter kann zum Verlust der Kontrolle und zu schweren Verletzungen führen.

Um versehentliche Betätigung des Elektronikschalters zu verhüten, ist das Gerät mit einem Einschaltsperrhebel ausgestattet.

Schieben Sie den Einschaltsperrhebel zum Starten des Gerätes nach vorn, und betätigen Sie dann den Elektronikschalter. Lassen Sie den Elektronikschalter zum Anhalten los.

Nylonfadenkopf (Abb. 3)

BEMERKUNG:

- Versuchen Sie nicht, den Kopf anzuklopfen, während das Gerät mit hoher Drehzahl läuft. Anklopfen bei hoher Drehzahl kann eine Beschädigung des Nylonfadenkopfes verursachen.
- Die Bump-Feed-Funktion arbeitet nicht richtig, wenn sich der Kopf nicht dreht.

HINWEIS:

- Das Standardzubehör ist je nach Modell und Land unterschiedlich.

Der Nylonfadenkopf ist ein doppelter Rasentrimmerkopf mit Bump-Feed-Mechanismus.

Um den Nylonfaden auszuziehen, klopfen Sie den Schneidkopf gegen den Boden, während er sich dreht.

HINWEIS:

- Wird der Nylonfaden nicht durch Anklopfen des Kopfes ausgezogen, wickeln Sie den Nylonfaden auf bzw. ersetzen Sie ihn nach dem unter „Wartung“ beschriebenen Verfahren.

Kabelhalter (Abb. 4)

Machen Sie eine kleine Schlinge in das Netzkabel, und hängen Sie diese an den Kabelhalter.

MONTAGE

⚠️ WARNUNG:

- Vergewissern Sie sich vor der Ausführung von Arbeiten am Gerät stets, dass es ausgeschaltet und vom Stromnetz getrennt ist.** Wird das Gerät nicht ausgeschaltet und vom Stromnetz getrennt, kann es zu schweren Verletzungen durch versehentliches Anlaufen kommen.
- Starten Sie das Gerät niemals, wenn es nicht vollständig zusammengebaut ist.** Der Betrieb des unvollständig zusammengebauten Gerätes kann zu schweren Verletzungen durch versehentliches Anlaufen führen.

Installieren des Handgriffs (Abb. 5)

⚠️ WARNUNG:

- Der Abstandshalter oder das Polster darf nicht entfernt oder geschrumpft werden. Der Abstandshalter hält einen bestimmten Abstand zwischen beiden Händen ein. Wird die Griff/Sperren-Einheit nahe an den anderen Griff über die Länge des Abstandshalters hinaus gesetzt, kann es zu einem Verlust der Kontrolle und schweren Verletzungen kommen.

Bringen Sie den Handgriff und die Sperre am Gummitel des Stielrohrs an. Stellen Sie die Position des Handgriffs ein, und ziehen Sie dann die Teile mit vier Schrauben fest.

Genehmigte Kombination von Schneidwerkzeug und Schutzhaube

⚠️ WARNUNG:

- Benutzen Sie das Gerät immer mit der genehmigten Kombination von Sicherheitsvorrichtungen.** Anderenfalls kann eine Berührung mit dem Schneidwerkzeug ernsthafte Verletzungen verursachen.
- Benutzen Sie das Gerät niemals ohne die abgebildete Schutzhaube.** Anderenfalls kann es zu schweren Verletzungen kommen.

HINWEIS:

- Das Standardzubehör ist je nach Modell und Land unterschiedlich.

Für Schneidblatt (Abb. 6)

Für Nylonfadenkopf (Abb. 7)

Installieren der Schutzhaube für Schneidblatt (Abb. 8)

- Richten Sie die Löcher in der inneren Schutzhaube auf die Löcher im Antriebsgehäuse aus.
- Befestigen Sie dann die Teile mit drei Schrauben.

Installieren der Schutzhaube für Nylonfadenkopf

⚠️ VORSICHT:

- Achten Sie darauf, dass Sie sich nicht an dem Schneider des Nylonfadens verletzen.
 - Vergessen Sie nicht, den Schneiderschutz vor Gebrauch zu entfernen.
1. Richten Sie die vier Schrauben an der äußeren Schutzhaube auf die Löcher in der inneren Schutzhaube aus. **(Abb. 9)**
 2. Befestigen Sie dann die Teile mit den vier Schrauben.
 3. Richten Sie die Löcher in der inneren Schutzhaube auf die Löcher im Antriebsgehäuse aus.
 4. Befestigen Sie die Teile mit Schrauben. **(Abb. 10)**

Installieren des Schneidblatts

⚠️ WARNUNG:

- **Der Außendurchmesser des Schneidblatts muss 230 mm betragen.** Verwenden Sie keinesfalls ein Schneidblatt, dessen Außendurchmesser 230 mm überschreitet.

⚠️ VORSICHT:

- Das Schneidblatt muss gut poliert sein und darf keine Risse oder Brüche aufweisen. Das Schneidblatt ist alle drei Betriebsstunden zu polieren oder auszuwechseln.
- Tragen Sie stets Handschuhe bei der Handhabung des Schneidblatts.
- Bringen Sie stets die Messerabdeckung an, wenn das Gerät nicht benutzt oder transportiert wird.
- Die Schneidblatt-Befestigungsmutter verschleißt im Laufe der Zeit. Falls Sie Anzeichen von Verschleiß oder Verformung feststellen, ersetzen Sie die Mutter. Wenden Sie sich bezüglich einer Bestellung an Ihr autorisiertes Service-Center.

BEMERKUNG:

- Verwenden Sie unbedingt ein Original-Schneidblatt.

Drehen Sie das Gerät um, damit Sie das Schneidblatt leicht auswechseln können. **(Abb. 11)**

1. Schieben Sie die Aufnahmescheibe auf die Achse.
2. Drehen Sie die Aufnahmescheibe, bis ihre Kerbe sich mit der Kerbe am Antriebsgehäuse deckt.
3. Führen Sie den Rundstift durch beide Kerben ein, so dass die Aufnahmescheibe nicht gedreht werden kann.
4. Setzen Sie das Messer auf die Aufnahmescheibe.
5. Setzen Sie die Klemmscheibe auf das Messer.
6. Setzen Sie den Becher auf das Messer.
7. Sichern Sie die Teile mit der Mutter, indem Sie diese entgegen dem Uhrzeigersinn drehen, während Sie den Rundstift festhalten.

Zum Demontieren des Messers sind die obigen Schritte umgekehrt anzuwenden.

Installieren des Nylonfadenkopfes (Abb. 12)

BEMERKUNG:

- Verwenden Sie unbedingt den Original-Nylonfadenkopf.

Drehen Sie das Gerät um, damit Sie den Nylonfadenkopf leicht auswechseln können.

HINWEIS:

- Entfernen Sie die Abdeckung am Fadenschneider vor Gebrauch.
1. Schieben Sie die Aufnahmescheibe auf die Achse.
 2. Drehen Sie die Aufnahmescheibe, bis ihre Kerbe sich mit der Kerbe am Antriebsgehäuse deckt.
 3. Führen Sie den Rundstift durch beide Kerben ein, so dass die Aufnahmescheibe nicht gedreht werden kann.
 4. Bringen Sie den Nylonfadenkopf an, indem Sie ihn entgegen dem Uhrzeigersinn drehen.
 5. Entfernen Sie den Rundstift nach der Montage des Nylonfadenkopfes.

Zum Demontieren des Nylonfadenkopfes sind die obigen Schritte umgekehrt anzuwenden.

BETRIEB

Korrekte Handhabung des Gerätes (Abb. 13)

Korrekte Haltung

⚠️ WARNUNG:

- **Halten Sie das Gerät immer auf Ihrer rechten Seite, so dass sich die Sperre immer vor Ihrem Körper befindet.** Korrekte Haltung des Gerätes gewährleistet maximale Kontrolle und verringert die Gefahr von durch Rückstoß verursachten schweren Verletzungen.

⚠️ VORSICHT:

- **Falls das Schneidwerkzeug während des Betriebs versehentlich gegen einen Stein oder ein hartes Objekt stößt, halten Sie das Gerät an, und überprüfen Sie es auf Beschädigung. Falls das Schneidwerkzeug beschädigt wird, ist es sofort auszuwechseln.** Die Verwendung eines beschädigten Schneidwerkzeugs kann zu schweren Verletzungen führen.

Legen Sie den Schultergurt auf Ihre linke Schulter, indem Sie Ihren Kopf und den rechten Arm hindurch stecken, und halten Sie das Gerät auf Ihrer rechten Seite, während Sie die Sperre stets vor Ihrem Körper halten.

Anbringung des Schultergurts (Abb. 14)

Stellen Sie die Gurtlänge so ein, dass das Schneidwerkzeug parallel zum Boden gehalten wird. Schließen Sie den Gurt an den Aufhänger an.

⚠️ WARNUNG:

- **Lassen Sie äußerste Sorgfalt walten, um immer die Kontrolle über das Gerät zu behalten. Achten Sie darauf, dass das Gerät nicht zu Ihnen oder einer anderen Person im Arbeitsbereich abgelenkt wird.** Verlust der Kontrolle über das Gerät kann zu schweren Verletzungen von Umstehenden und Bediener führen.

Einstellung der Aufhängerposition und des Schultergurts (Abb. 15)

Stellen Sie die Aufhängerposition gemäß der Abbildung ein. **(Abb. 16)**

Um die Aufhängerposition zu ändern, lösen Sie die Schraube am Aufhänger. Verschieben Sie dann den Aufhänger.

Nachdem Sie die Aufhängerposition eingestellt haben, ziehen Sie die Schraube mit dem Schraubenschlüssel fest.

WARTUNG

WARNUNG:

- **Vergewissern Sie sich vor der Durchführung von Überprüfungen oder Wartungsarbeiten stets, dass das Gerät ausgeschaltet und vom Stromnetz getrennt ist.** Wird das Gerät nicht ausgeschaltet und vom Stromnetz getrennt, kann es zu schweren Verletzungen durch versehentliches Anlaufen kommen.

BEMERKUNG:

- Verwenden Sie auf keinen Fall Benzin, Benzol, Verdünnern, Alkohol oder dergleichen. Solche Mittel können Verfärbung, Verformung oder Rissbildung verursachen.

Auswechseln des Nylonfadens (Abb. 17)

WARNUNG:

- **Vergewissern Sie sich vor dem Betrieb, dass der Nylonfadenkopf einwandfrei am Gerät befestigt ist.** Wird der Nylonfadenkopf nicht richtig gesichert, kann er auseinander fliegen, was schwere Verletzungen zur Folge haben kann.

1. Entfernen Sie den Nylonfadenkopf.
2. Nehmen Sie die Abdeckung ab, indem Sie die zwei gegenüber liegenden Klinken im geschlitzten Abschnitt an der Seite des Bechers drücken.
3. Entfernen Sie die Spule. Entfernen Sie den alten Nylonfaden von der Spule.

4. Schneiden Sie einen Nylonfaden auf 3 – 6 m Länge ab. Falten Sie den Schneidfaden in zwei Hälften, wobei Sie eine Hälfte 80 – 100 mm länger als die andere lassen. **(Abb. 18)**
5. Haken Sie die Mitte des neuen Nylonfadens in die Kerbe in der Mitte der Spule zwischen den beiden für den Nylonfaden vorgesehenen Kanälen ein. **(Abb. 19)**
6. Wickeln Sie beide Enden in Richtung der Pfeilmarke entlang den Kanälen fest auf die Spule. **(Abb. 20)**
7. Ziehen Sie die Nylonfäden durch die Ösen, so dass sie aus dem Becher herausragen.
8. Richten Sie den Vorsprung an der Unterseite der Abdeckung auf die Schlitzlöcher der Ösen aus. Drücken Sie dann die Abdeckung zur Sicherung fest auf den Becher. Vergewissern Sie sich, dass die Klinken in der Abdeckung vollständig gespreizt sind.

Um die SICHERHEIT und ZUVERLÄSSIGKEIT dieses Produkts zu gewährleisten, sollten Reparaturen und andere Wartungs- oder Einstellarbeiten nur von autorisierten Makita-Kundendienstzentren unter ausschließlicher Verwendung von Makita-Originalersatzteilen ausgeführt werden.

WARTUNGSINTERVALL

Teile:	Intervall:	Prüfpunkte:
Netzkabel	Vor jedem Gebrauch	Unterziehen Sie das Teil einer Sichtprüfung auf übermäßigen Verschleiß oder Beschädigung. Wenden Sie sich bei Beschädigung bezüglich einer Reparatur an Ihr örtliches Service-Center.
Zusatzgriffschraube	Vor jedem Gebrauch	Prüfen Sie, ob die Schraube locker ist. Ziehen Sie die Schraube fest, falls sie locker ist. Ersetzen Sie die Schraube, falls sie beschädigt ist.
Schneidwerkschutz (Schutzhaube)	Vor jedem Gebrauch	Prüfen Sie die Schraube auf Lockerheit oder die Schutzhaube auf Beschädigung. Ziehen Sie die Schraube fest, falls sie locker ist. Ersetzen Sie die Schutzhaube, falls sie beschädigt ist.
Schneidblatt	Alle 10 Betriebsstunden	Nach jedem Gebrauch mit Korrosionsschutzöl schmieren. Prüfen Sie, ob das Teil beschädigt ist. Ersetzen Sie das Teil, falls es beschädigt ist.
Nylonfadenkopf	Alle 10 Betriebsstunden	Unterziehen Sie das Teil einer Sichtprüfung auf übermäßigen Verschleiß oder Beschädigung. Ersetzen Sie das Teil, falls es beschädigt ist.
Getriebewelle	Alle 10 Betriebsstunden	Mit Korrosionsschutzöl schmieren.

FEHLERSUCHE

Bevor Sie den Reparaturdienst anrufen, führen Sie zunächst Ihre eigene Inspektion durch. Falls Sie ein Problem finden, das nicht in der Anleitung erläutert wird, versuchen Sie nicht, das Gerät zu zerlegen. Wenden Sie sich statt dessen an eine autorisierte Makita-Kundendienststelle, und achten Sie darauf, dass stets Makita-Ersatzteile für Reparaturen verwendet werden.

Störungszustand	Ursache	Abhilfemaßnahme
Der Motor läuft nicht.	Der Netzstecker ist nicht eingesteckt.	Den Netzstecker einstecken.
	Das Netzkabel ist beschädigt.	Wenden Sie sich bezüglich einer Reparatur an Ihr autorisiertes Service-Center.
	Das Antriebssystem funktioniert nicht korrekt.	
Der Motor bleibt nach kurzer Zeit stehen.	Überhitzung.	Brechen Sie die Benutzung des Gerätes ab, um es abkühlen zu lassen.
Die Maximaldrehzahl wird nicht erreicht.	Das Antriebssystem funktioniert nicht korrekt.	Wenden Sie sich bezüglich einer Reparatur an Ihr autorisiertes Service-Center.
Das Schneidwerkzeug dreht sich nicht: Das Gerät unverzüglich stoppen!	Ein Fremdkörper, wie z. B. ein Ast, klemmt zwischen Schutzhaube und Schneidwerkzeug.	Den Fremdkörper entfernen.
	Die Schneidblatt-Sicherungsmutter ist locker.	Die Mutter gemäß der Beschreibung in dieser Anleitung einwandfrei festziehen.
	Das Schneidblatt ist verbogen.	Das Schneidblatt auswechseln.
	Das Antriebssystem funktioniert nicht korrekt.	Wenden Sie sich bezüglich einer Reparatur an Ihr autorisiertes Service-Center.
Ungewöhnliche Vibration: Das Gerät unverzüglich stoppen!	Ein Ende des Nylonfadens ist beschädigt.	Klopfen Sie den Nylonfadenkopf auf den Boden, während er sich dreht, um Ausziehen des Fadens zu bewirken.
	Das Schneidblatt ist verbogen, gerissen oder verschlissen.	Das Schneidblatt auswechseln.
	Die Schneidblatt-Sicherungsmutter ist locker.	Die Mutter gemäß der Beschreibung in dieser Anleitung einwandfrei festziehen.
	Das Schneidblatt ist nicht richtig befestigt.	
Das Antriebssystem funktioniert nicht korrekt.	Wenden Sie sich bezüglich einer Reparatur an Ihr autorisiertes Service-Center.	
Schneidwerkzeug und Motor bleiben nicht stehen: Ziehen Sie sofort den Netzstecker ab!	Funktionsstörung der Elektrik oder Elektronik.	Ziehen Sie den Netzstecker ab, und wenden Sie sich bezüglich einer Reparatur an Ihr autorisiertes Service-Center.

SONDERZUBEHÖR



VORSICHT:

- Die folgenden Zubehörteile oder Vorrichtungen werden für den Einsatz mit dem in dieser Anleitung beschriebenen Makita-Gerät empfohlen. Die Verwendung anderer Zubehörteile oder Vorrichtungen kann eine Verletzungsgefahr darstellen. Verwenden Sie Zubehörteile oder Vorrichtungen nur für ihren vorgesehenen Zweck.

Wenn Sie weitere Einzelheiten bezüglich dieser Zubehörteile benötigen, wenden Sie sich bitte an Ihre Makita-Kundendienststelle.

- Schneidblatt
- Nylonfadenkopf
- Nylonfaden (Schneidfaden)
- Schultergurt

HINWEIS:

- Manche Teile in der Liste können als Standardzubehör im Gerätesatz enthalten sein. Sie können von Land zu Land unterschiedlich sein.

Makita Jan-Baptist Vinkstraat 2, 3070, Belgium
Makita Corporation Anjo, Aichi, Japan

McGrp.Ru



Сайт техники и электроники

Наш сайт McGrp.Ru при этом не является просто хранилищем [инструкций по эксплуатации](#), это живое сообщество людей. Они общаются на форуме, задают вопросы о способах и особенностях использования техники. На все вопросы очень быстро находят ответы от таких же посетителей сайта, экспертов или администраторов. Вопрос можно задать как на форуме, так и в специальной форме на странице, где описывается интересующая вас техника.